

# TMT

Tapping - Measuring - Technology



**decoded**

# THE STORY BEHIND TMT

You probably know that TMT was founded in 2003 as a 50/50 partnership between DANGO & DIENENTHAL and PAUL WURTH

## TMT

Tapping - Measuring - Technology



- together -  
one step ahead




**DANGO & DIENENTHAL**



**PAUL WURTH**

You may be aware that our head offices are located in Siegen (Germany) and Luxembourg.



Most likely you have heard of TMT  
as the machine specialist for Blast  
Furnaces and other smelting furnaces.



Perhaps  
you also know  
that our parent companies have  
given us a foundation of 150 years of  
tradition and experience.



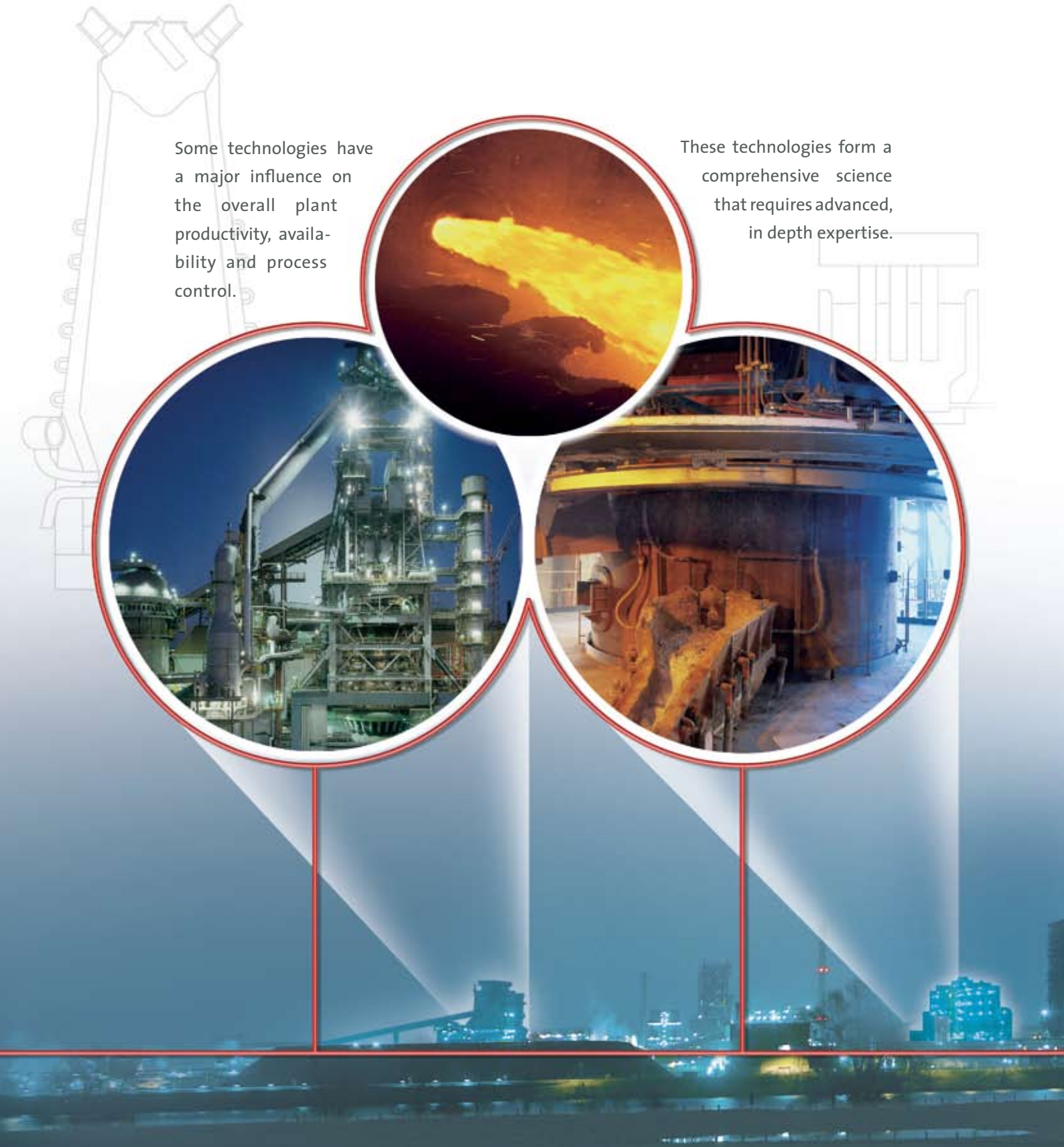
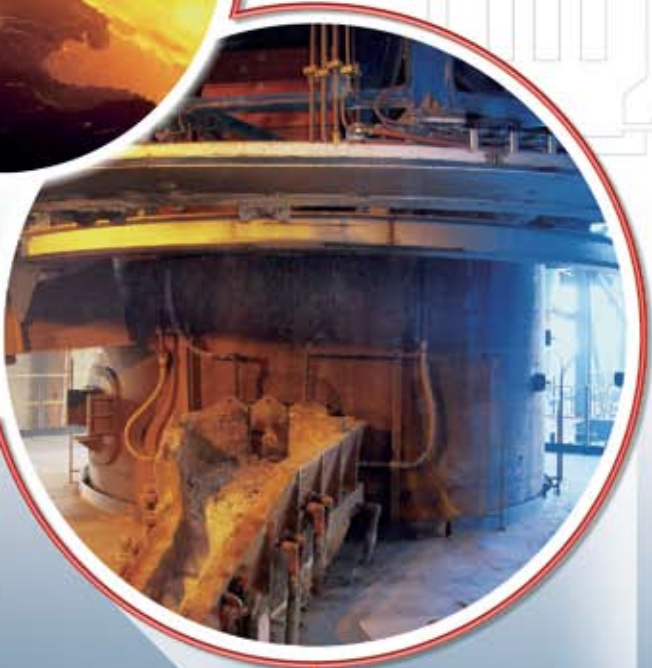
**DISCOVER TMT**

# CLEAR FOCUS

Every industry has its particularities leading to specific system engineering demands. This is especially true for Blast Furnaces and other metallurgical furnaces.

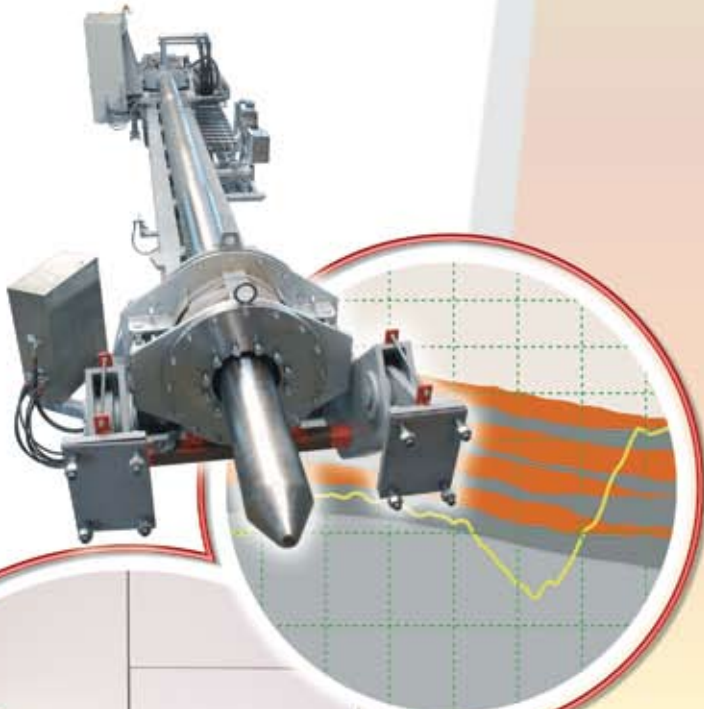
Some technologies have a major influence on the overall plant productivity, availability and process control.

These technologies form a comprehensive science that requires advanced, in depth expertise.



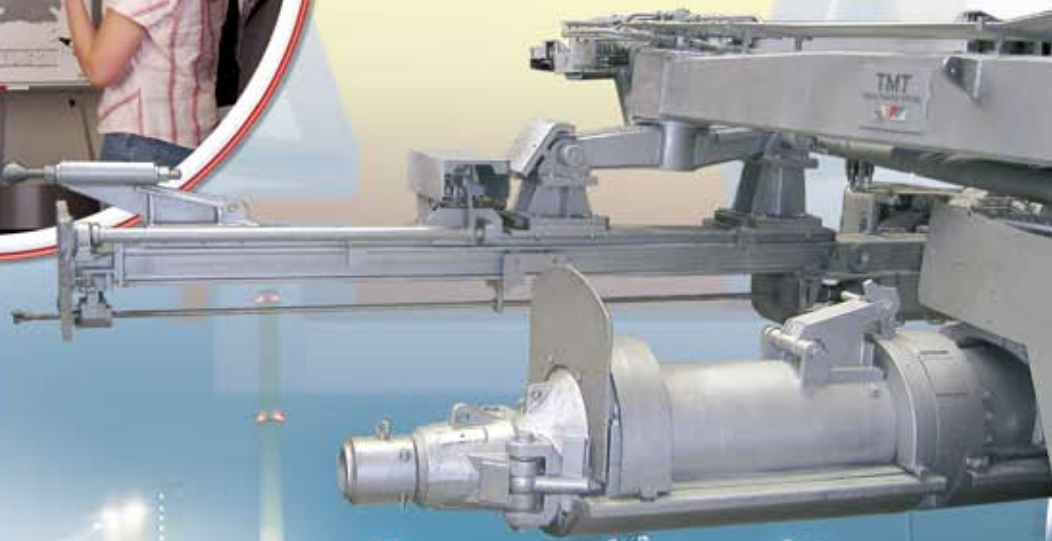
# PRODUCTS

Only the uncompromising specialization in these disciplines leads to the best products for processes as complex as tapping and measuring technology for metallurgical furnaces.



A team of skilled specialists with shared know-how based on hundreds of man-years of experience establishes the future trends for these technologies.

# EXPERIENCE



# TRAINING

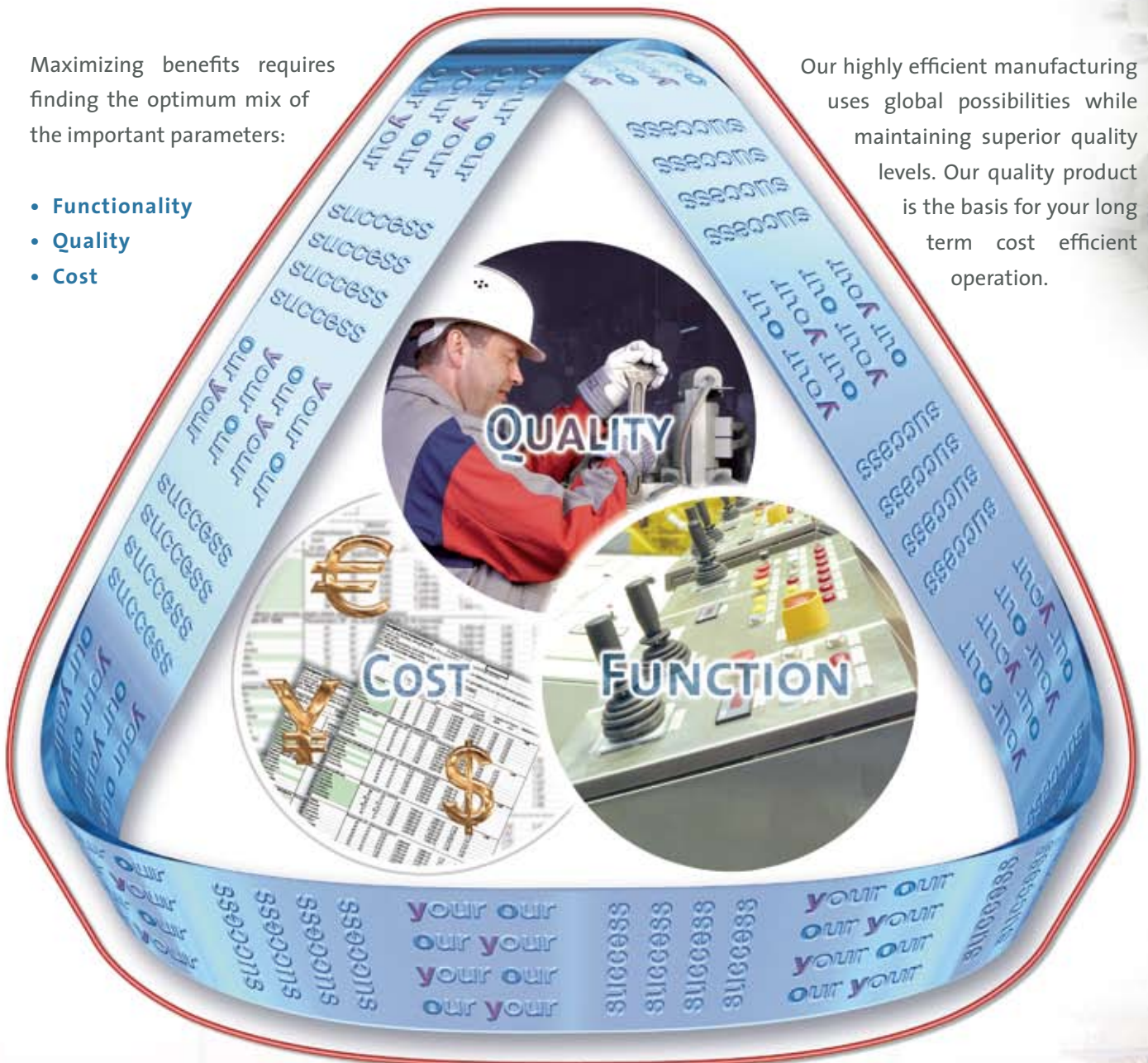
# OPTIMIZATION

We strive to optimize your benefit. Your success is our one and only way to establish our success.

Maximizing benefits requires finding the optimum mix of the important parameters:

- **Functionality**
- **Quality**
- **Cost**

Our highly efficient manufacturing uses global possibilities while maintaining superior quality levels. Our quality product is the basis for your long term cost efficient operation.



Our product range offers well proven and balanced functionality with no limits to your technological potential, without wasting money for things that are just “nice to have”.

# OPTIMIZED ORGANIZATION

Our lean organization ensures a minimum of overhead costs.



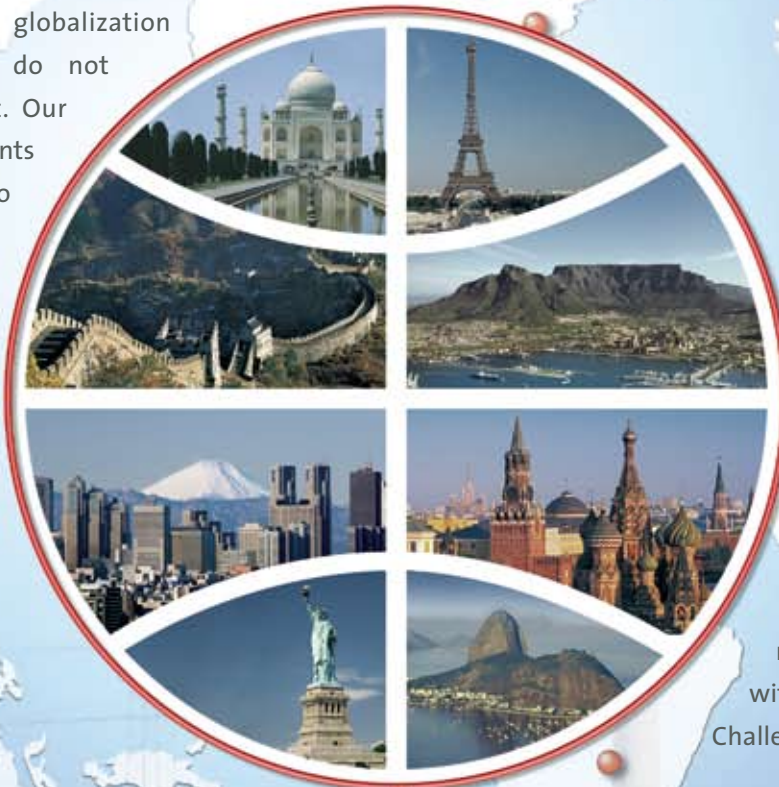
This optimum is the result of long standing cooperation between our customers and us, and is subject to continuous improvements.

# GLOBAL

For us globalization is not a political conflict but daily reality. The objective is to make use of global resources for the benefit of all parties. We feel strongly committed to:

- health and safety
- social and environmental responsibility.

We view differences in cultures, especially business cultures as a challenge, not a nuisance. For us globalization and individualism do not represent a conflict. Our equipment and plants are all designed to match the requirements of each individual situation.



To accomplish this challenge we believe it is important to be geographically present, and more importantly to deal with our business partners in a fair way within their business cultures. Challenge TMT accordingly!



# MULTICULTURAL

Our modular concept guarantees a maximum of individualism while at the same time ensuring:

- a low cost level
- the sharing of world wide experiences
- an open mind for future developments
- machines and plants still provide full service and satisfaction for more than one Blast Furnace campaign.

# INDIVIDUAL



# RELIABLE

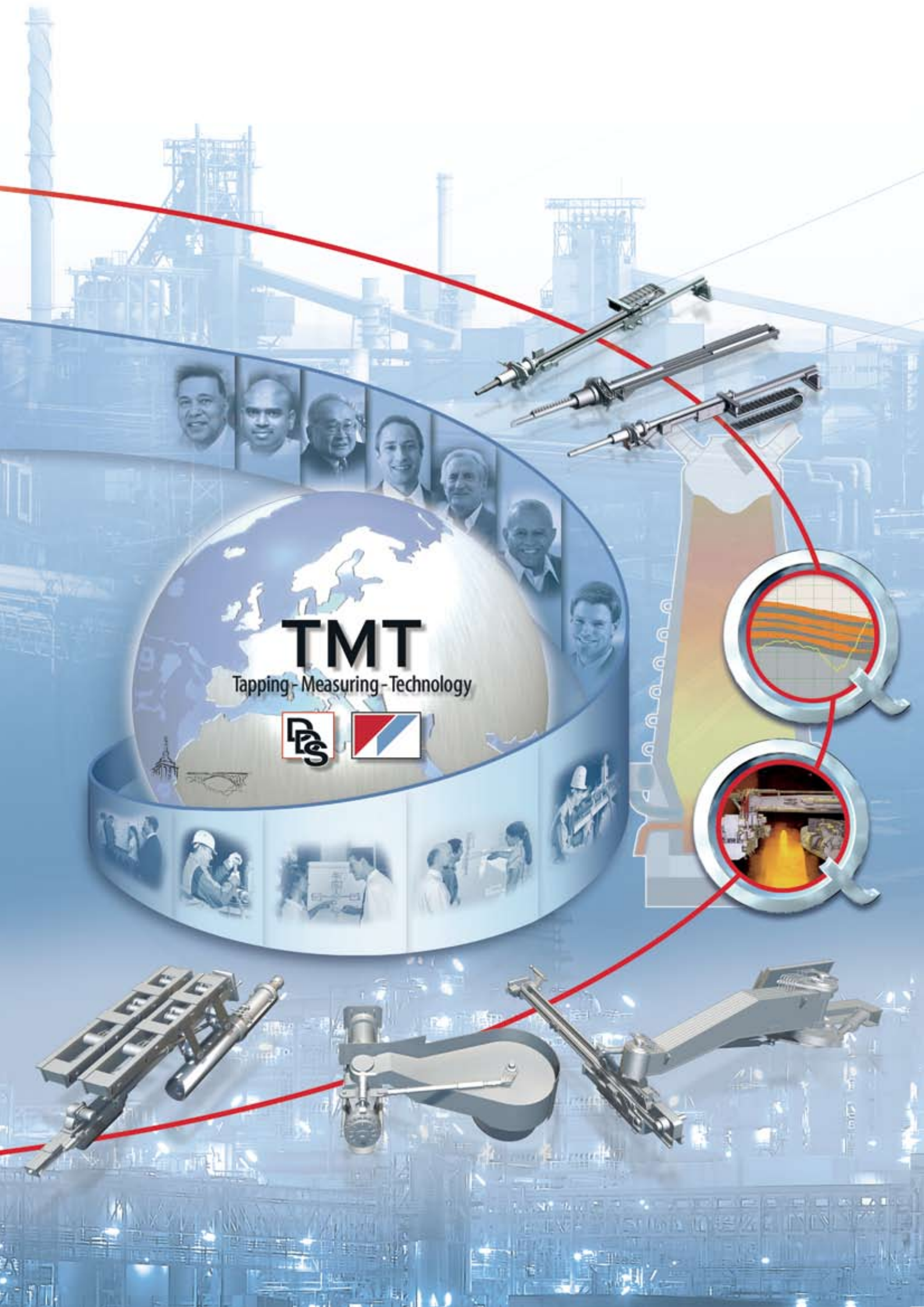


**IN SHORT TMT IS**

**just...**

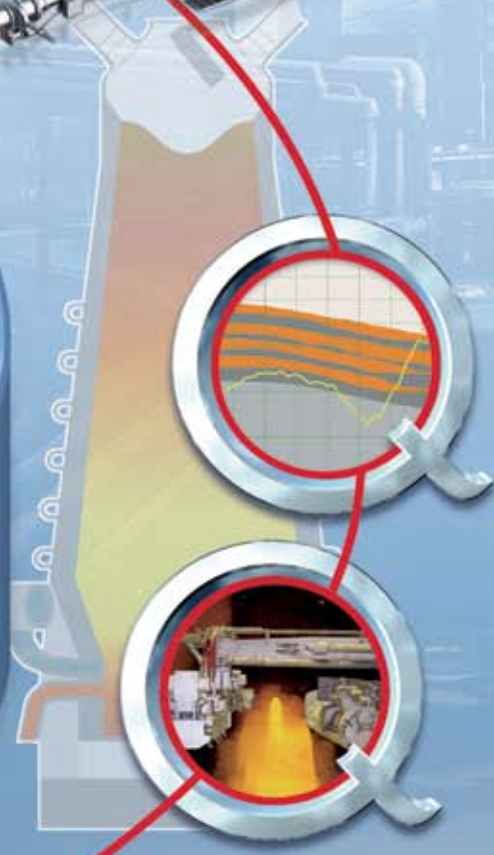
**...convincing**





# TMT

Tapping - Measuring - Technology



# TMT

Tapping - Measuring - Technology



## TMT – Tapping Measuring Technology Sàrl

Postfach 2233 - L-1022 Luxemburg • 32, rue d'Alsace - L-1122 Luxemburg  
Tel. +352 261920-0 • Fax +352 261920-779 • E-Mail: [contact@tmt.com](mailto:contact@tmt.com)  
Managing Directors: Dr.-Ing. Jochen Grisse • Dipl.-Ing. Claude Bodeving • Registration No. B 91897

[www.tmt.com](http://www.tmt.com)

## TMT – Tapping Measuring Technology GmbH

Postfach 101355 - D-57013 Siegen • Hagener Straße 103 - D-57072 Siegen  
Tel. +49 271 4014-0 • Fax +49 271 4014-210 • E-Mail: [contact@tmt.com](mailto:contact@tmt.com)  
Managing Directors: Dr.-Ing. Jochen Grisse • Dipl.-Ing. Claude Bodeving • Registration No. HRB 5741

**A joint company of DANGO & DIENENTHAL and PAUL WURTH**