

READY TO EXCEED.



**TMT** TAPPING  
MEASURING  
TECHNOLOGY

# TAPPING MEASURING TECHNOLOGY

**TMT AT A GLANCE.  
EQUIPMENT FOR BLAST FURNACES & SMELTERS**

**26**

REPRESENTATIVE  
OFFICES

**15**

LOCAL GROUP  
WORKSHOPS

**12**

PARTNER  
ENGINEERING  
CENTRES

**WORLDWIDE  
AVAILABLE.**

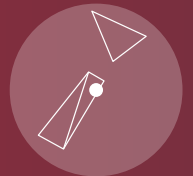
TO SUPPORT YOUR 365 DAYS 24/7 OPERATION,  
OUR SUPPORT NETWORK SPANS THE WHOLE WORLD

# >2,400

TAPPING MACHINES WORLDWIDE

# >300

CUSTOMERS IN 62 COUNTRIES



**/ BUSINESS PHILOSOPHY**

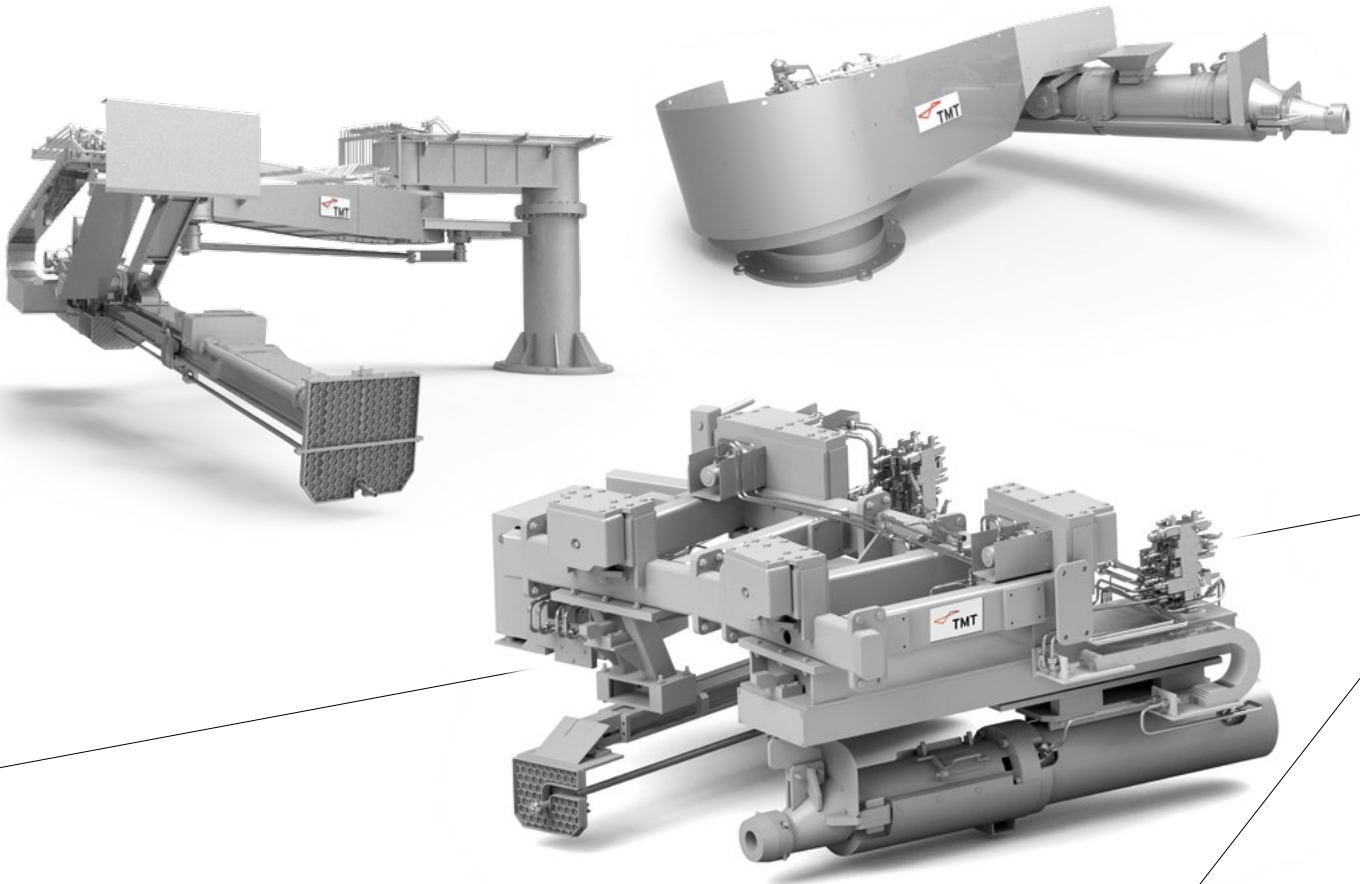
***" We strive to give our customers tailor-made solutions that create superior added value and highest return of invest rates through high performance products, best reliability and availability. Our local support services are available worldwide "***

**Customized to fit your needs**

At TMT, we dedicate 100% of our efforts to Tapping and Measurement Solutions for blast furnaces and smelters. This focus, combined with over 100 years' experience passed on from our mother companies in the field of tapping and measuring, forms the basis of our know how to provide our customers the most appropriate solutions for their individual situation.

# NO TAPPING LIMITATIONS

CASTHOUSE EQUIPMENT



# 15s

WORLDWIDE, EVERY 15 SECONDS  
A TAPHOLE IS OPENED BY A TMT MACHINE

## / YOUR BENEFITS

### Highest Productivity

Process the clay mass  
ideal for your blast furnace

Open any taphole  
repeatedly

### Protect your assets

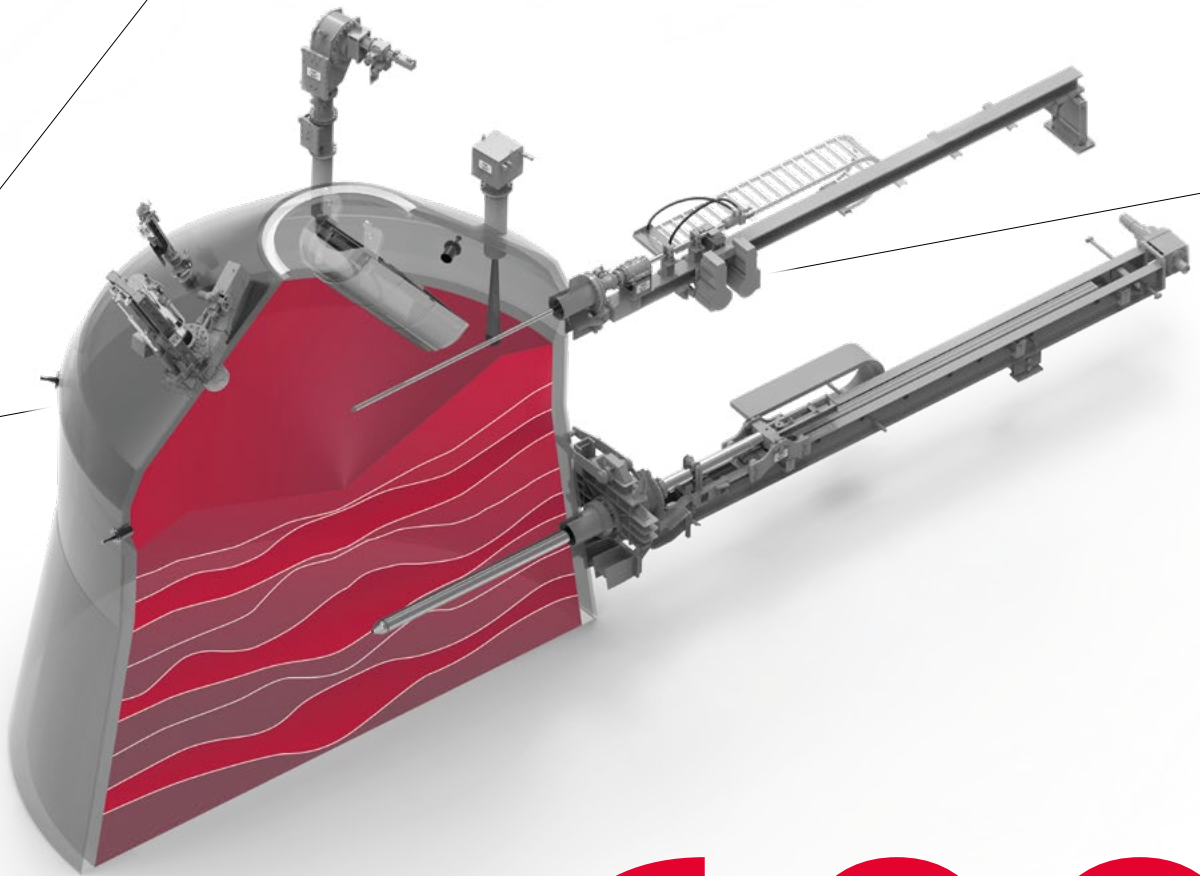
Use only the power required  
by the application

### Operator Safety

Make the casthouse  
a safe place to work

# MAKE YOUR BLAST FURNACE PROCESS TRANSPARENT

PROBES



> 6000

PROBES IN OPERATION WORLDWIDE

## / YOUR BENEFITS

### Reduce production cost

Improved furnace productivity, reduced fuel rate

Extend your furnace campaign life

### Avoid unintentional disruptions

Save cost through early detection of critical or deviating process situations

### Big Data

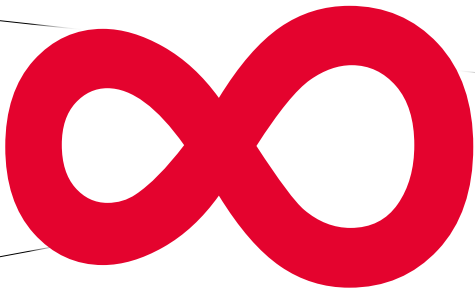
Gather and visualize data to refine your process

# TURN DATA INTO VALUE

## The next step in creating customer value

The latest generation of smart cast house machines and probes provides a wealth of data previously not available.

From the vast field of digital transformation, we pragmatically pursue creating customer value through condition monitoring and process analyses.



POSSIBILITIES TO OPTIMIZE  
YOUR BLAST FURNACE PROCESS



tmt.com

TMT

### / INDUSTRY 4.0 - IoT

- ▶ Process analyses interfaces and correlates all data feedback from smart equipment and from measurement tools to identify process improvements and critical process deviations
- ▶ Condition monitoring increases the availability of critical equipment and eases its maintenance
- ▶ Historical data is stored over several years for big data evaluation

**ARE YOU READY TO EXCEED?**

Individualized Layout - Design - Manufacturing - Installation - Turnkey - Training - Leases - Rental - Equipment - Condition Monitoring - Service Contracts - Upgrades - Refurbishment - OEM Spares